
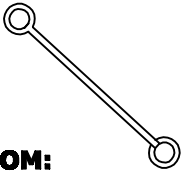
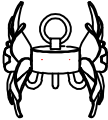

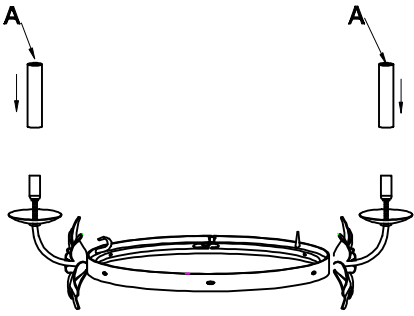
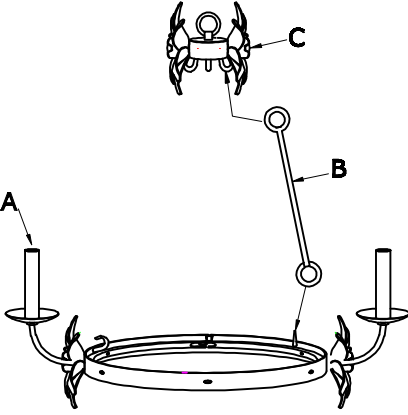
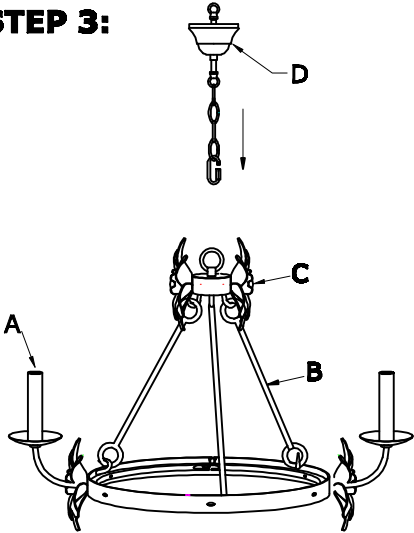


# FLAMBEAU LIGHTING ASSEMBLY INSTRUCTION

**ITEM # CH1162-6  
SIMONE**

**Pre Assembly:**

- \* Please read all instructions before beginning assembly.
- \* Remove all parts from packaging and compare with the parts listed.
- \* Do not discard any contents until assembly is complete.

<b>Parts Enclosed:</b>	<p><b>A</b></p>  <p><b>STEEL SLEEVE: 6 PCS</b></p>	<p><b>B</b></p>  <p><b>BOOM: 3 PCS</b></p>	<p><b>C</b></p>  <p><b>HANGER LOOP : 1 PCS</b></p>	<p><b>D</b></p>  <p><b>CANOPY: 1 PCS</b></p>
<b>STEP 1:</b>			<b>STEP 2:</b>	
<b>STEP 3:</b>			<b>STEP 4:</b>	